

# **BENASSI**<sup>®</sup>

Agricoltura e Giardinaggio

## **M350**

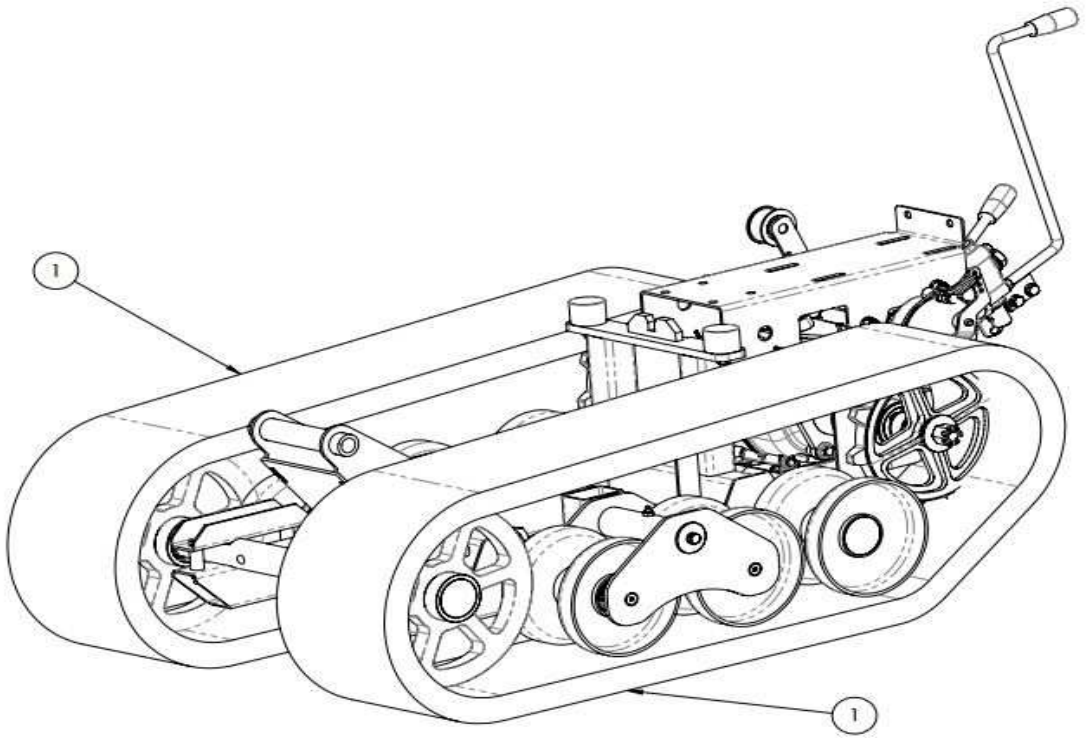
(6+2)

## **MINITRANSPORTER**

**(8867801-8866012 )**

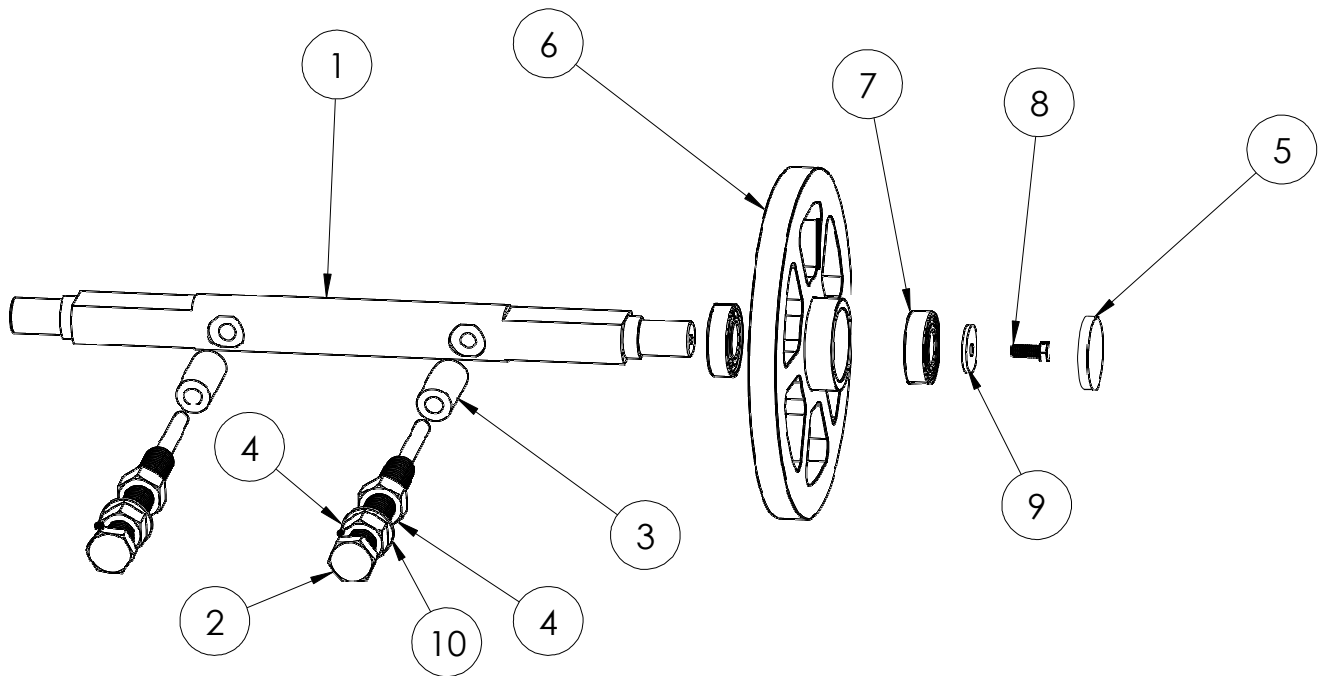
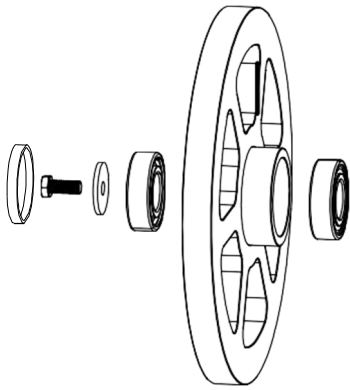
## **Spare parts List**

# M350



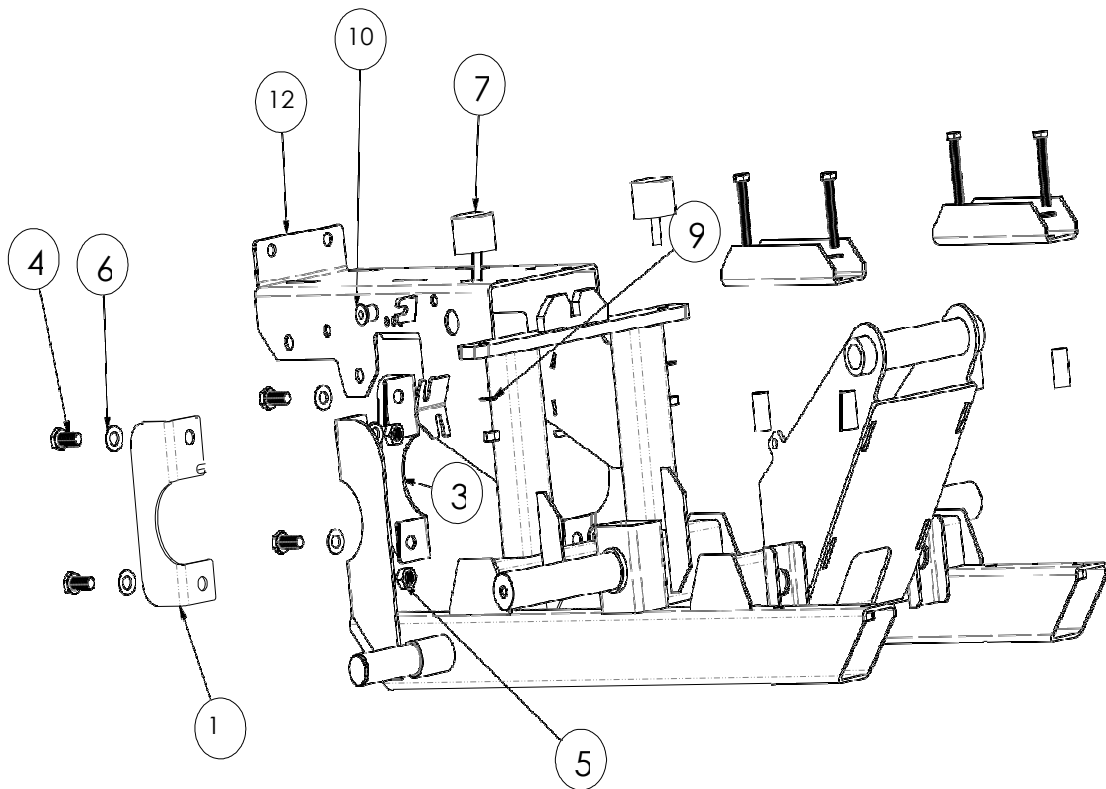
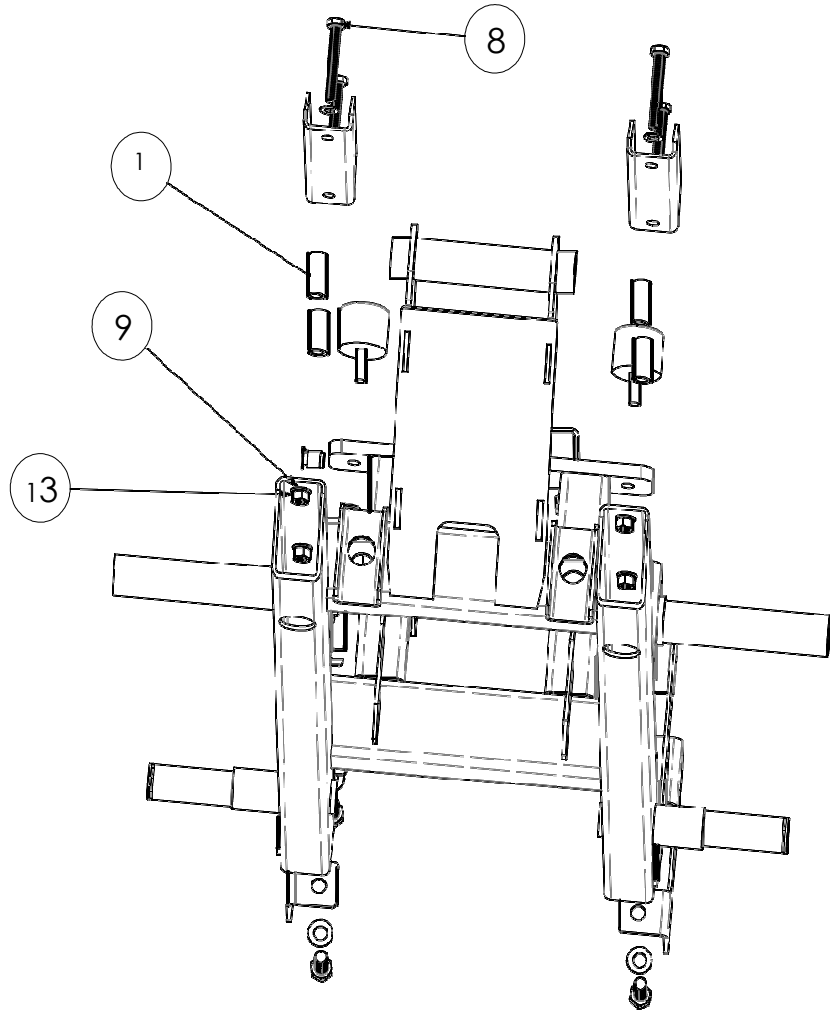
Pos.	Q.ty	Commercial description	Code
1	2	Rubber tracks – 180X60X37	MTM350C46

# M350



Pos.	Q.ty	Commercial description	Code
1	1	Front axle	MTM350-001-001
2	2	ISO 4017 - TE M20 x 230	MTM350-001-002
3	2	Compression spring	MTM350C1
4	4	M20 - UNI 5588 NUT	MTM350C2
5	2	Ø52 X 7 mm end cover seal	MTM350C3
6	2	Track idler wheel	MTM350-001-006
7	4	6205_Z ball bearing	MTM350C4
8	2	ISO 4017 - M8 x 20 hexagonal head screw	MTM350C5
9	2	M8 Special washer	MTM350-001-009
10	2	M8 washer - ISO 7089	MTM350C47

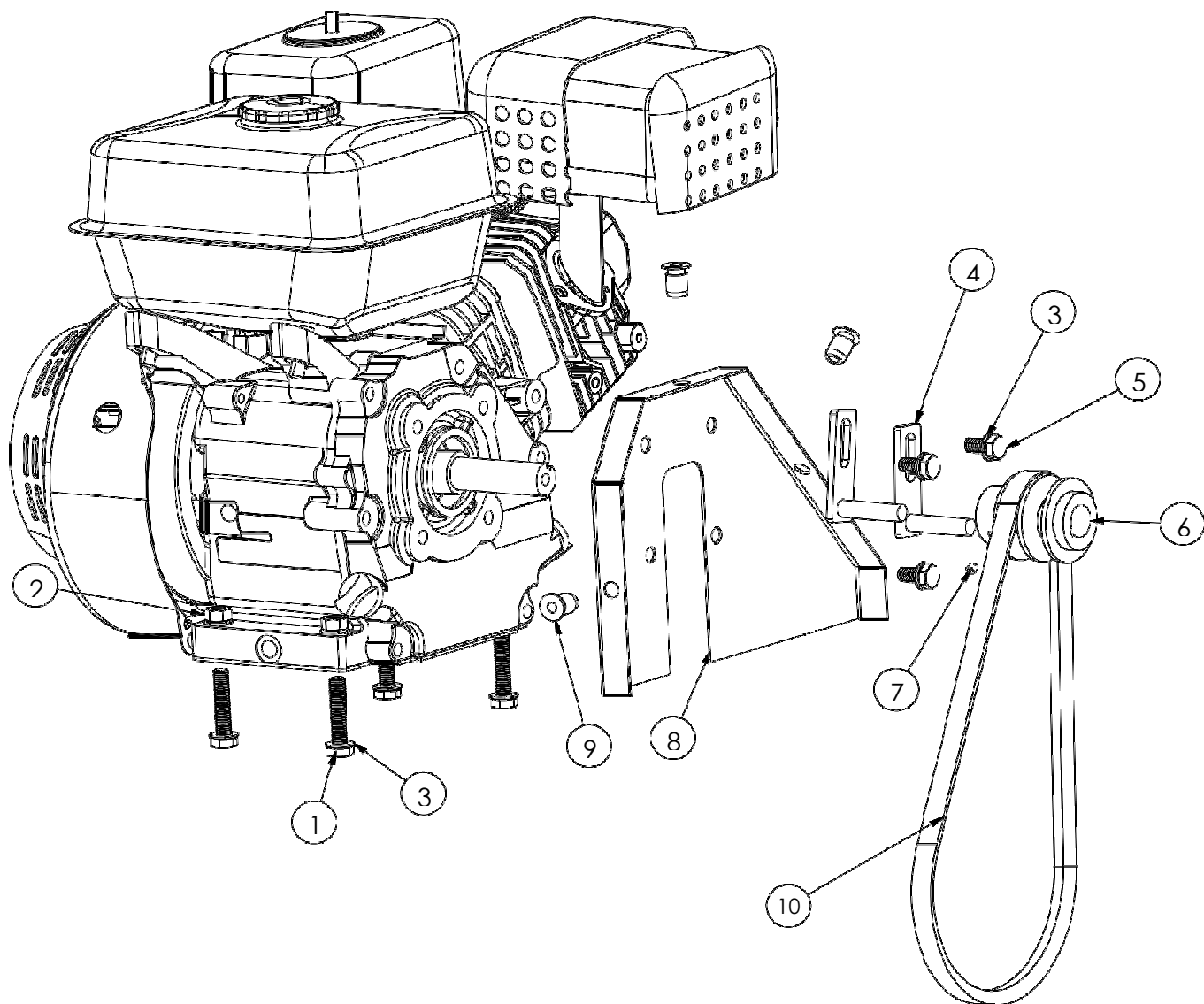
# M350



## M350

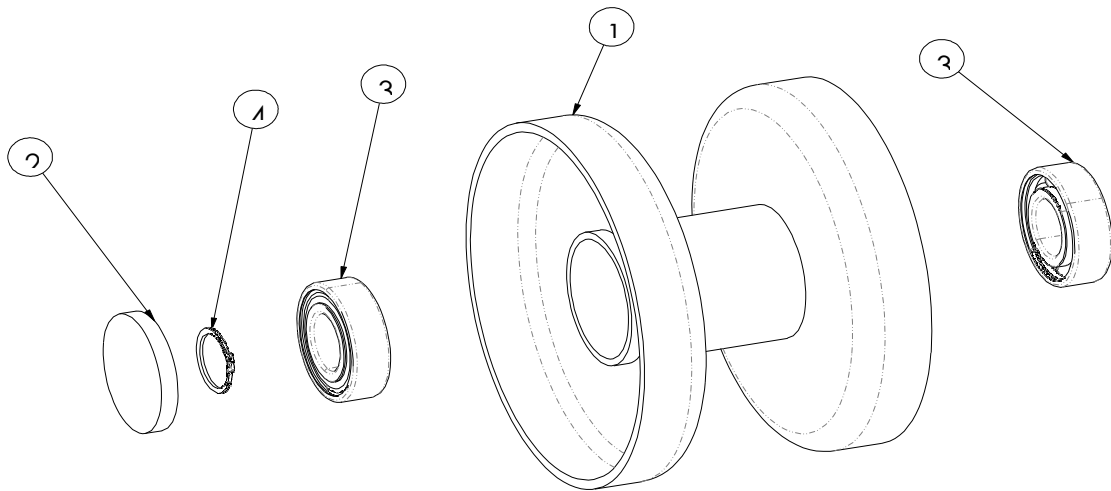
<b>Pos.</b>	<b>Q.ty</b>	<b>Commercial Description</b>	<b>code</b>
1	4	Front axle spacer	MTM350-002-010
2	2	Front axle bracket	MTM350-002-011
3	1	Left transmission support counter bracket	MTM350-002-015
4	4	ISO 4017 - M10 x 25 hexagonal head screw	MTM350-C6
5	4	ISO 4032 - M10 nut	MTM350-C7
6	8	ISO 7090 - M10 washer	MTM350-C8
7	2	Rubber stop	MTM350-C13
8	4	ISO 4017 - M8 x 55 hexagonal head screw	MTM350-C9
9	8	ISO 7090 - M8 washer	MTM350-C10
10	1	M6 threaded insert	MTM350-C12
11	1	Right transmission support counter bracket	MTM350-002-031
12	1	Chassis	MTM350-002
13	6	ISO 4032 - Dado M8	MTM350-C11

# M350



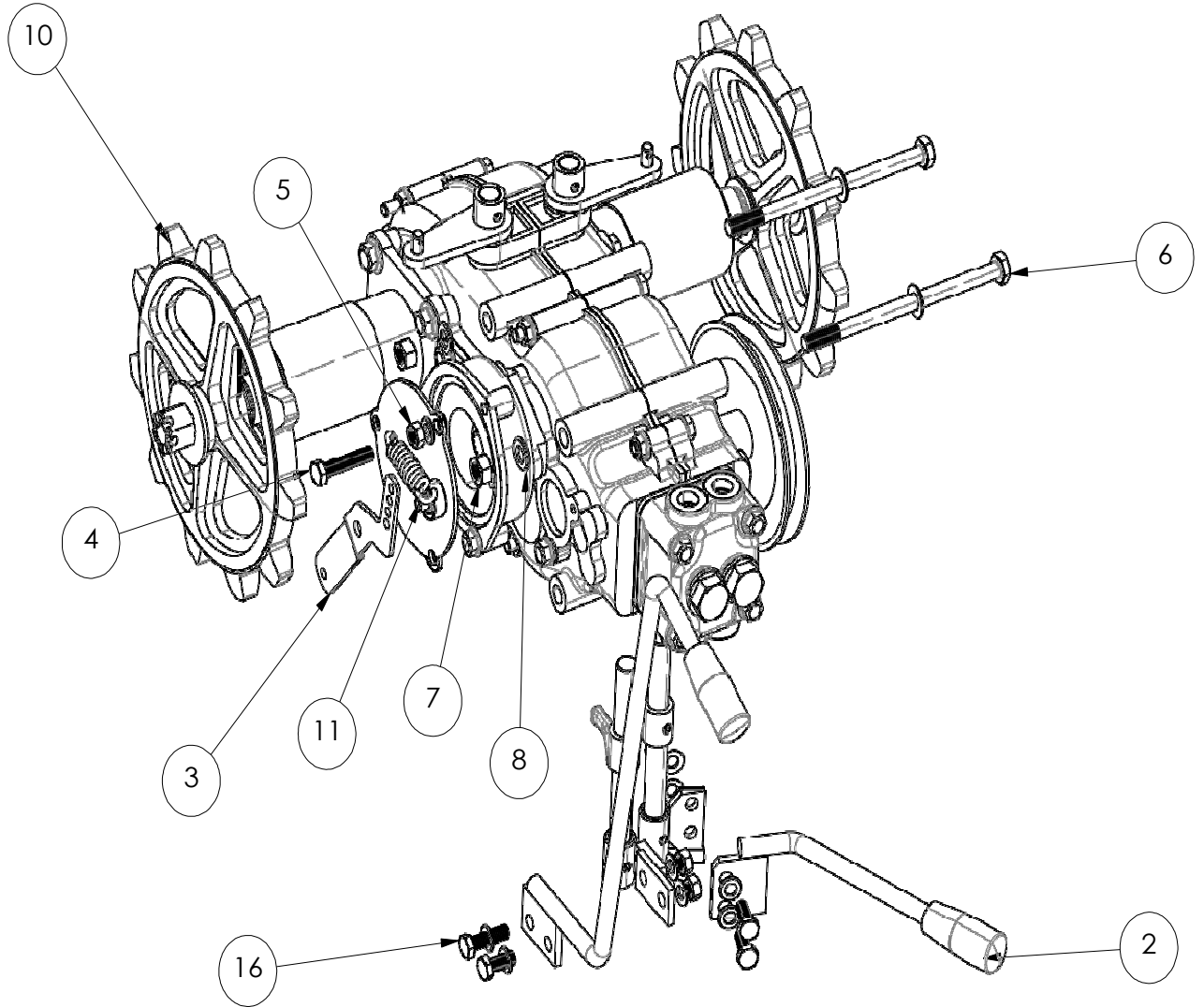
Pos.	Q.tv	Commercial Description	ID Code	Note
1	4	ISO 4017 - M8 x 40 hexagonal head screw	MTM350-	
2	4	ISO 4032 - M8 Nut	MTM350-	
3	11	ISO 7090 - M8 washer		
4	2	Belt guide	MTM350-003-	
5	3	ISO 4017 - M8 x 16 hexagonal head screw	MTM350-	
6	1	Engine pulley	MTM350-	
7	1	ISO 4026 - M5x5 mm grain	MTM350-	
8	1	Belt protection plate	MTM350-003-	
9	3	M6 threaded insert	MTM350C	
10	1	A27 Belt		

# M350

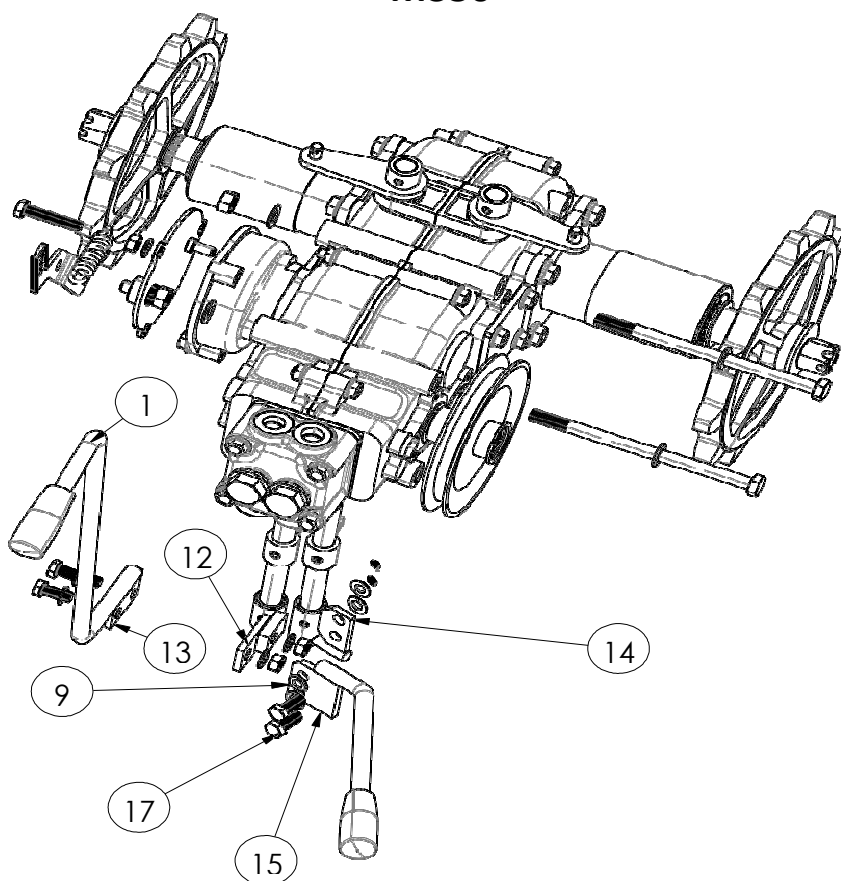


Pos.	Q.ty	Commercial description	ID Code
1	1	Steel roller	MTM350C50
2	1	Ø52 x 7 mm end cover seal	MTM350C3
3	2	6205_Z ball bearing	MTM350C4
4	1	DIN 471 - Seeger albero 25	MTM350C49

# M350

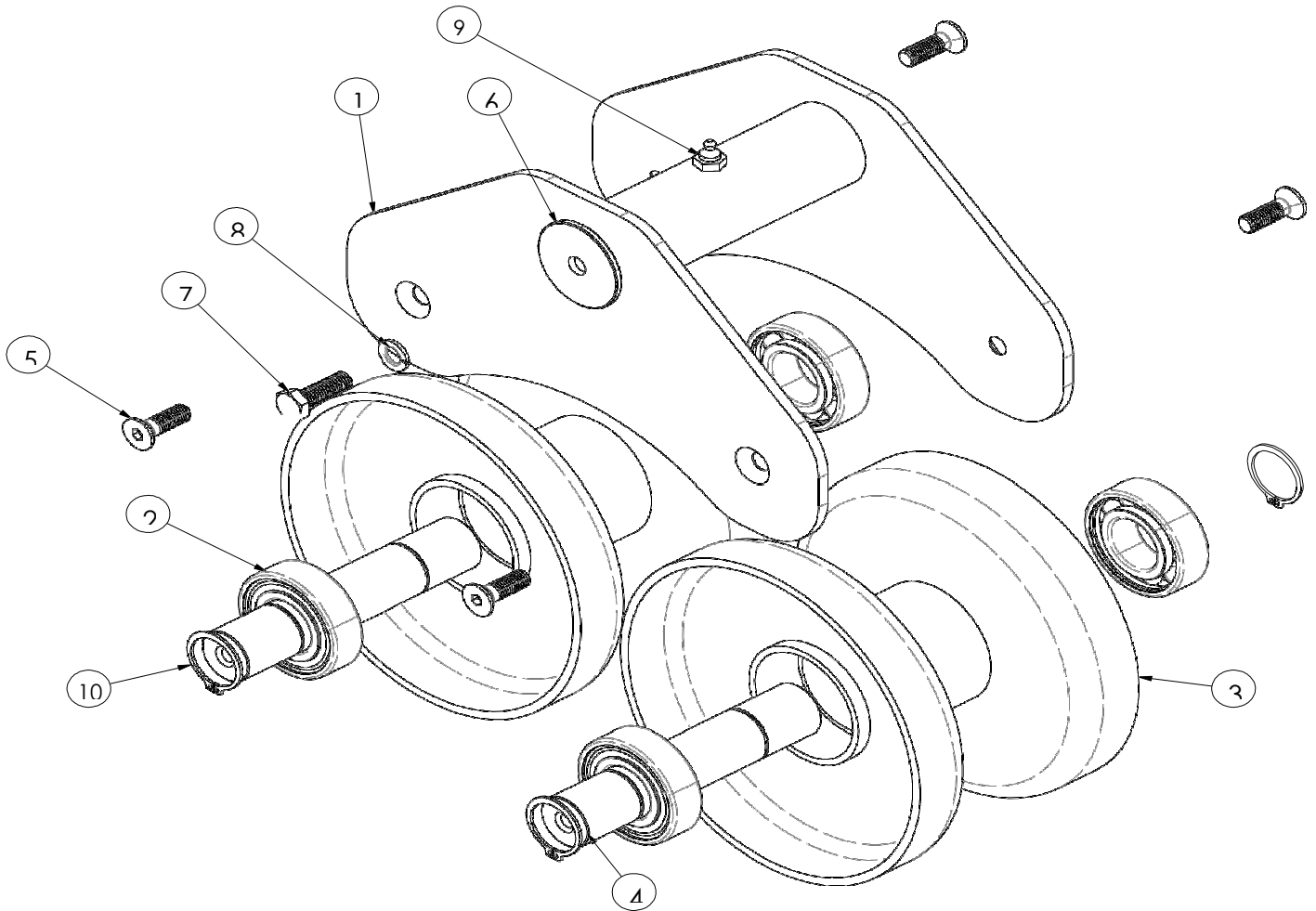


## M350



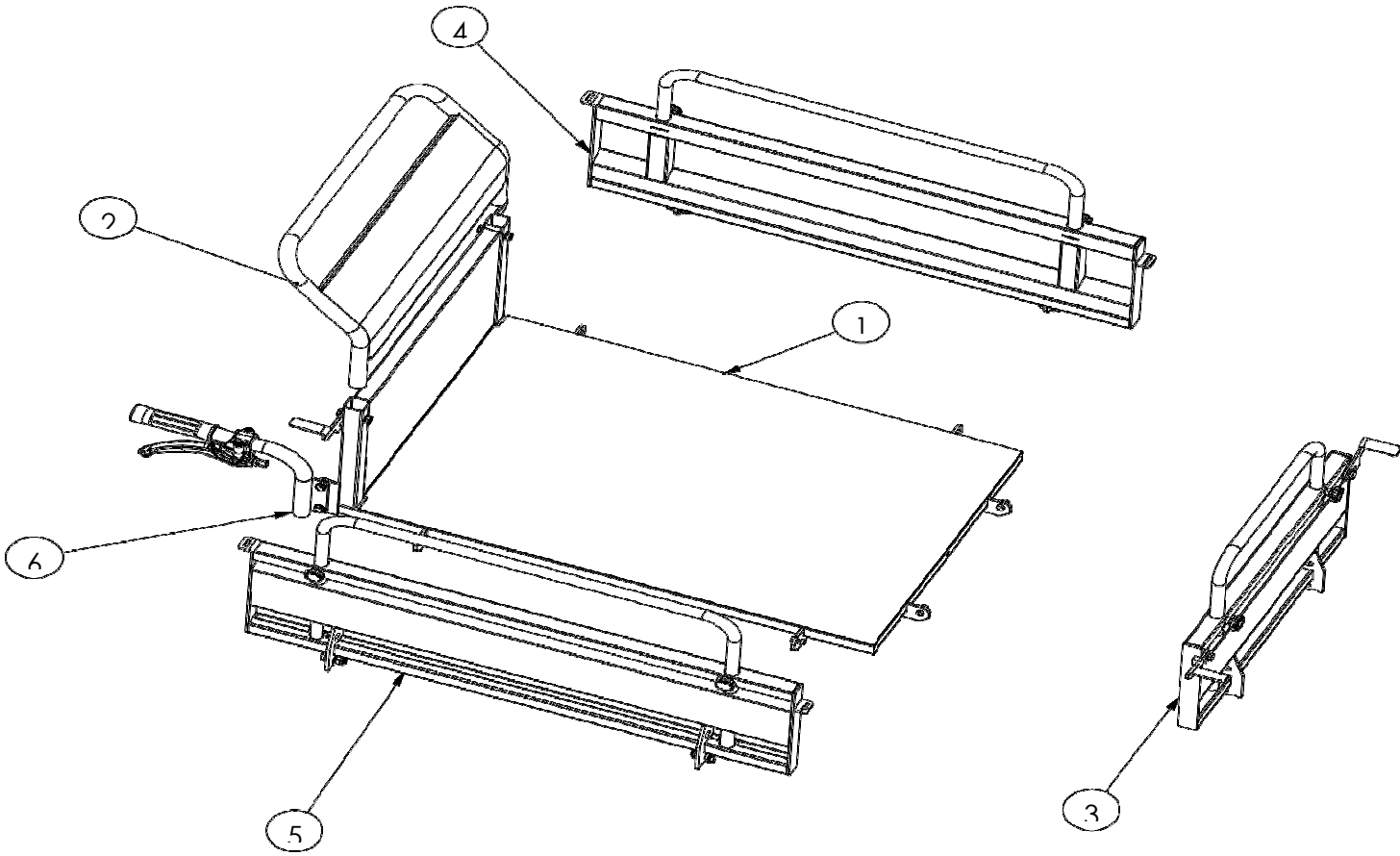
Pos.	Q.ty	Commercial description	Code
1	1	Gear lever	MTM350-007-001
2	1	Speed lever	MTM350-007-002
3	1	Brake lever	MTM350-007-003
4	1	ISO 4017 - M8 x 40 hexagonal head screw	MTM350-C14
5	5	ISO 4032 - M8 nut	MTM350-C11
6	2	ISO 4014 - M10 x 160 x 26 hexagonal head screw	MTM350-C17
7	2	ISO 4032 - M10 nut	MTM350-C7
8	4	ISO 7090 - M10 washer	MTM350-C8
9	9	ISO 7090 - M8 washer	MTM350-C10
10	2	Traction wheel	MTM350-C47
11	1	Tension spring	MTM350-C1.1
12	1	45X25X5 mm sheet metal	MTM350-007-012
13	1	45x30x5 mm sheet metal	MTM350-007-013
14	1	40x25x5 mm sheet metal	MTM350-007-014
15	1	40x40x5 mm sheet metal	MTM350-007-015
16	1	ISO 4017 - M8 x 30-S hexagonal head screw	MTM350-C51
17	3	ISO 4017 - hexagonal head screw M8 x 20	MTM350-C5

# M350



Pos.	Q.ty	Commercial description	ID code
1	1	Rotating sheet metals group	MTM350-008-001
2	4	6205_Z ball bearing	MTM350-C4
3	2	Steel roller	MTM350-C50
4	2	Rotating roller shaft	MTM350-008-004
5	4	ISO 10642 - M8 x 25 flat countersunk head screw with hexagon socket	MTM350-C18
6	1	Special washer	MTM350-008-006
7	1	ISO 4017 - TE M8 x 25 hexagon head screw	MTM350-C19
8	1	Rosetta elastica DIN 127 - M8	MTM350-C16.1
9	1	UNI 7663-A M6x3 mm straight grease nipple	MTM350-C20
10	4	Seeger DIN 471 - albero 25 x 1.2	MTM350-C49

# M350



## M350

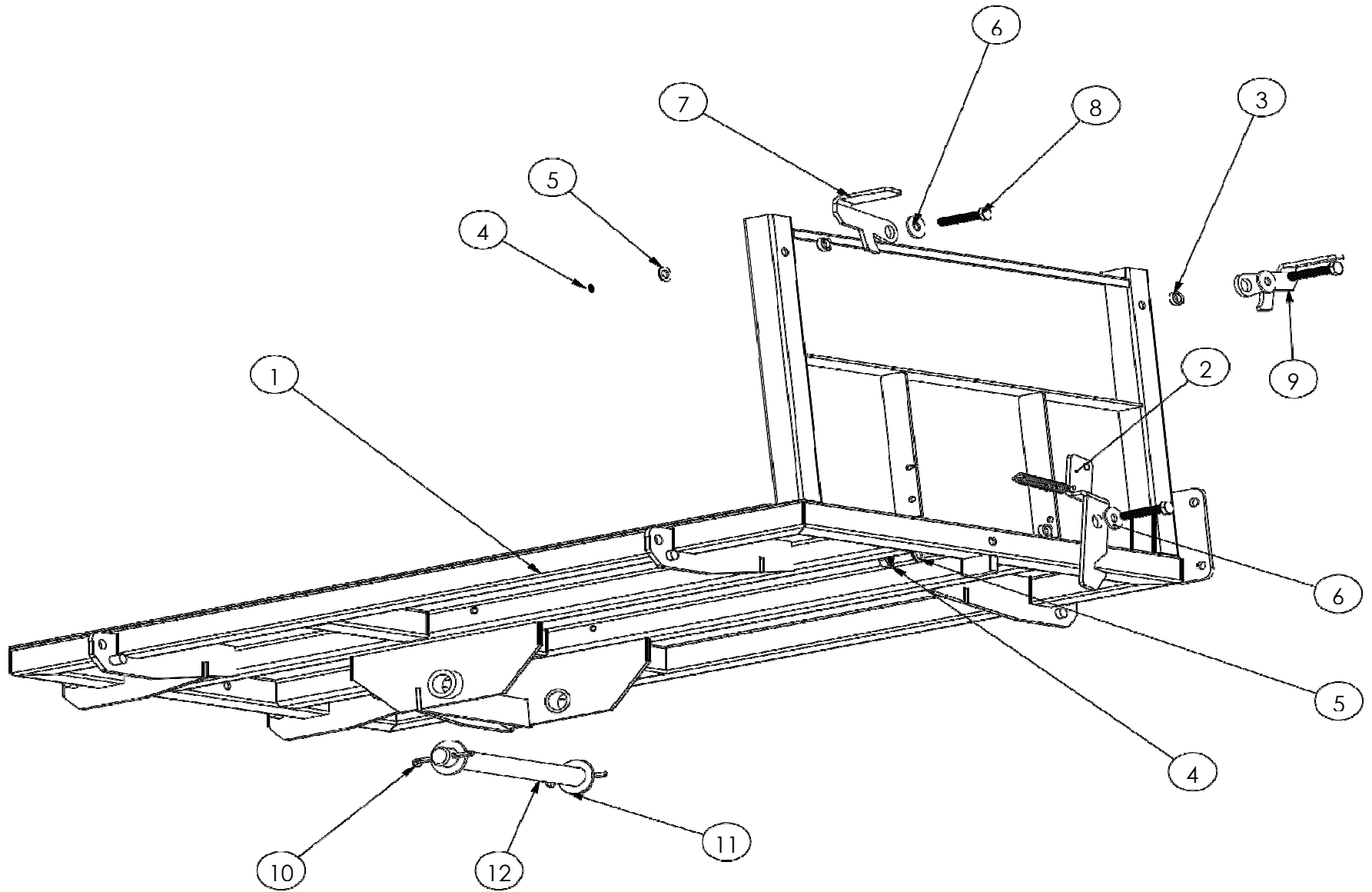
<b>Pos.</b>	<b>Q.ty</b>	<b>Descrizione commerciale</b>	<b>code</b>
1	1	Gruppo pianale di carico	MTM350-009-001
2	1	Gruppo protezione posteriore sfilabile	MTM350-009-002
3	1	Gruppo sponda anteriore	MTM350-009-003
4	1	Gruppo sponda sinistra	MTM350-009-004
5	1	Gruppo sponda destra	MTM350-009-005
6	1	Gruppo leva sollevamento	MTM350-009-006

# M350



Pos.	Q.ty	Commercial description	code
7	1	Gas spring	MTM350-C43
8	1	ISO 4017 - M6 x 50 hexagonal head screw	MTM350-C44
9	3	ISO 4032 - M6 nut	MTM350-C35
10	4	ISO 7090 - M6 washer	MTM350-C39
11	1	ISO 4017 - M6 x 20 hexagonal head screw	MTM350-C38

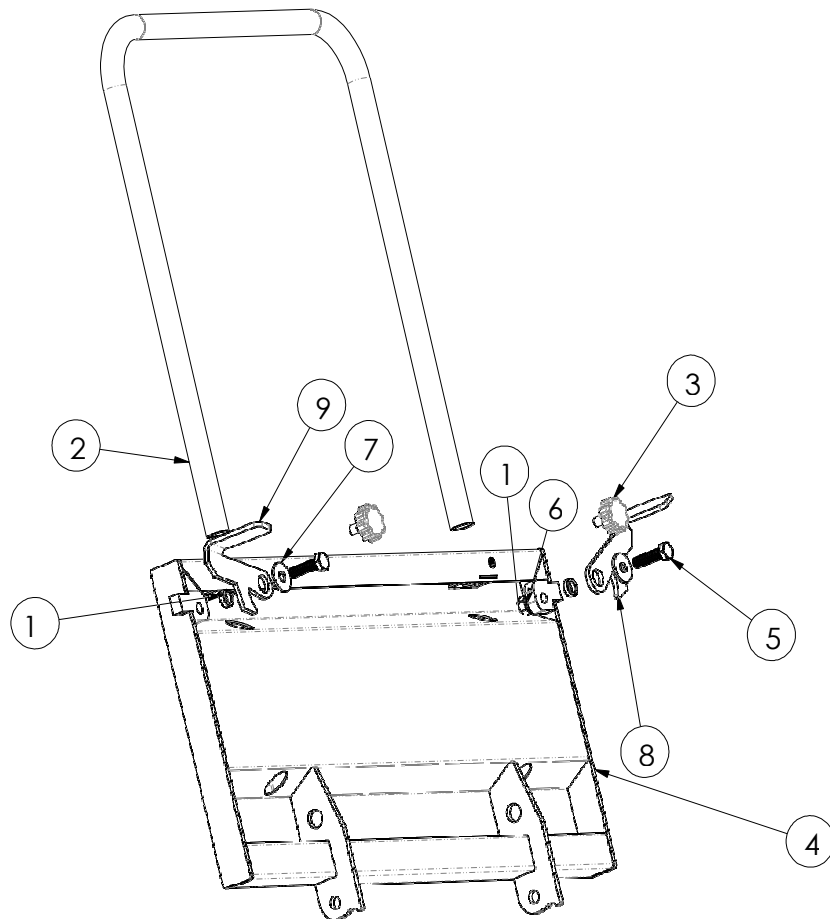
# M350



## M350

Pos.	Q.ty	Commercial description	code
1	2	Platform	MTM350-009-001
2	1	Anti-lift hook	MTM350-009-001-011
3	3	Bushing spacer	MTM350-009-001-013
4	3	ISO 4032 - M8 nut	MTM350-C11
5	3	ISO 7090 - M8 washer	MTM350-C10
6	3	ISO 7093 - Large M8 washer	MTM350-C24
7	1	Left closing lever	MTM350-009-001-022
8	3	ISO 4014 - Hesagonal head screw M8 x 45-S	MTM350-C52
9	1	Right closing lever	MTM350-009-001-024
10	2	Coppiglia D5	MTM350-C22
11	2	Rondella ISO 7089-M20	MTM350-C47
12	1	Perno Carrello	MTM350-009-007
13	1	Traction spring	MTM350-C1.2

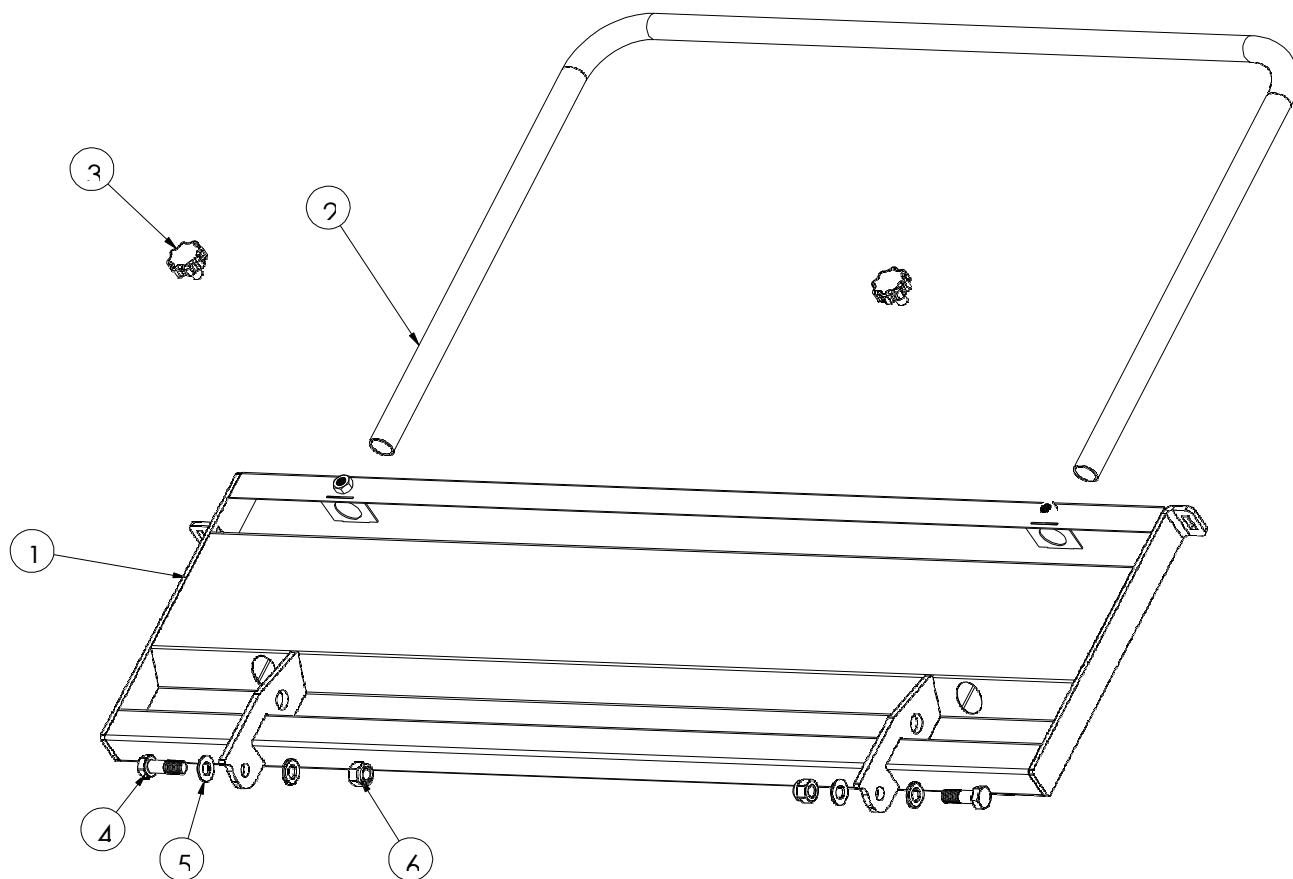
# M350



Pos.	Q.ty	Commercial description	code
1	4	ISO 4032 - M8 nut	MTM350-C11
2	1	Roll bar	MTM350-009-003-006
3	2	M8 knob	MTM350-C27
4	1	Front side group	MTM350-009-003
5	2	ISO 4017 - Hexagonal head screw M8 x 30	MTM350-C51
6	2	ISO 7090 - M8 washer	MTM350-C10
7	2	ISO 7093 - M8 large washer	MTM350-C24
8	1	Left closing lever	MTM350-009-001-022
9	1	Right closing lever	MTM350-009-001-024
10	2	Closing lever bushing	MTM350-009-001-013

∅

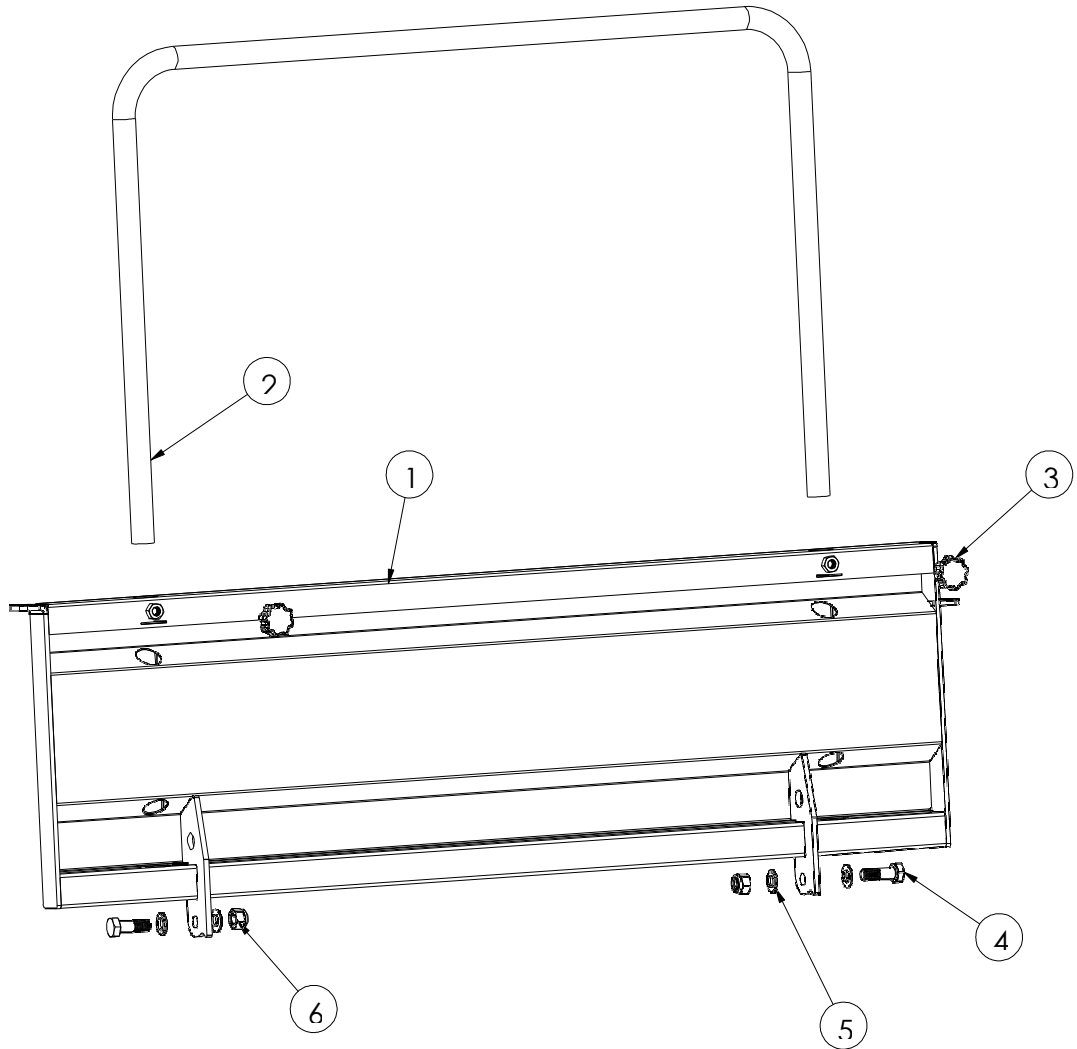
# M350



Pos.	Q.ty	Commercial description	code
1	1	Left side group	MTM350-009-004
2	1	Roll bar	MTM350-009-004-005
3	2	M8 knob	MTM350-C27
4	2	VITE ZAPPETTE M10 x 30 P1.5 FIL15	MTM350-C54
5	4	ISO 7090 - M10 washer	MTM350-C8
6	2	UNI 7473 - M10 SELF LOCKING NUT	MTM350-C53

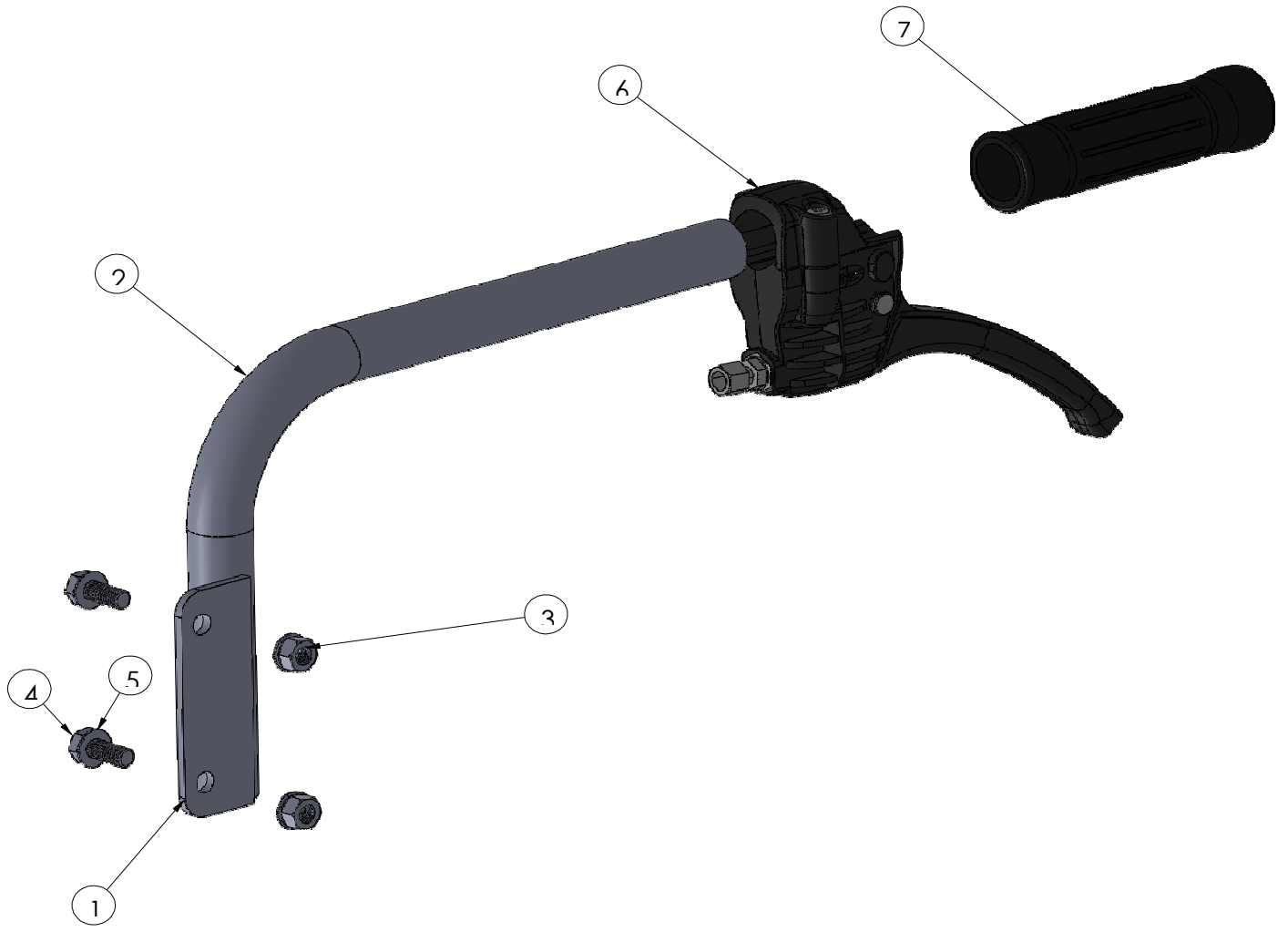
∅

# M350



Pos.	Q.ty	Commercial description	ID code
1	1	Right side group	MTM350-009-005
2	1	Roll barr	MTM350-009-004-005
3	2	M8 knob	MTM350-C27
4	2	VITE ZAPPETTE M10 X 30 P1,5 FIL.15	MTM350-C54
5	4	ISO 7090 - RONDELLA M10	MTM350-C8
6	2	UNI 7473 - M10 SELF LOCKING NUT	MTM350-C53

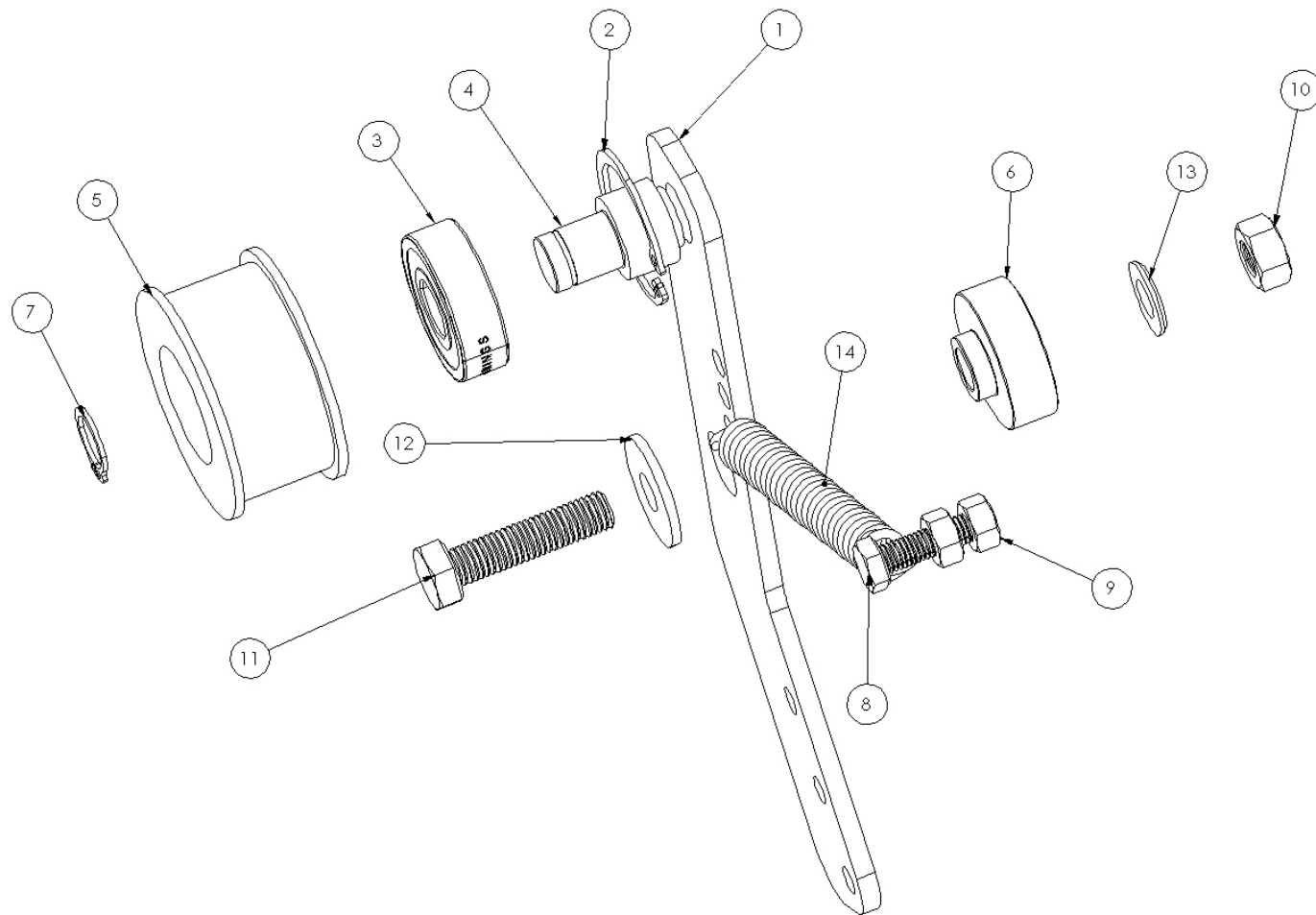
# M350



Pos.	Q.ty	Commercial description	code
1	1	Lifting tube plate	MTM350-009-001-003
2	1	Lifting tube	MTM350-009-006-002
3	2	ISO 4032 - M8 Nut	MTM350-C11
4	2	ISO 4017 - M8 x 20 hexagonal head screw	MTM350-C5
5	4	ISO 7090 - M8 Washer	MTM350-C10
6	1	Simple lever	MTM350-C28
7	1	Ø25 Knob	MTM350-C29

∅

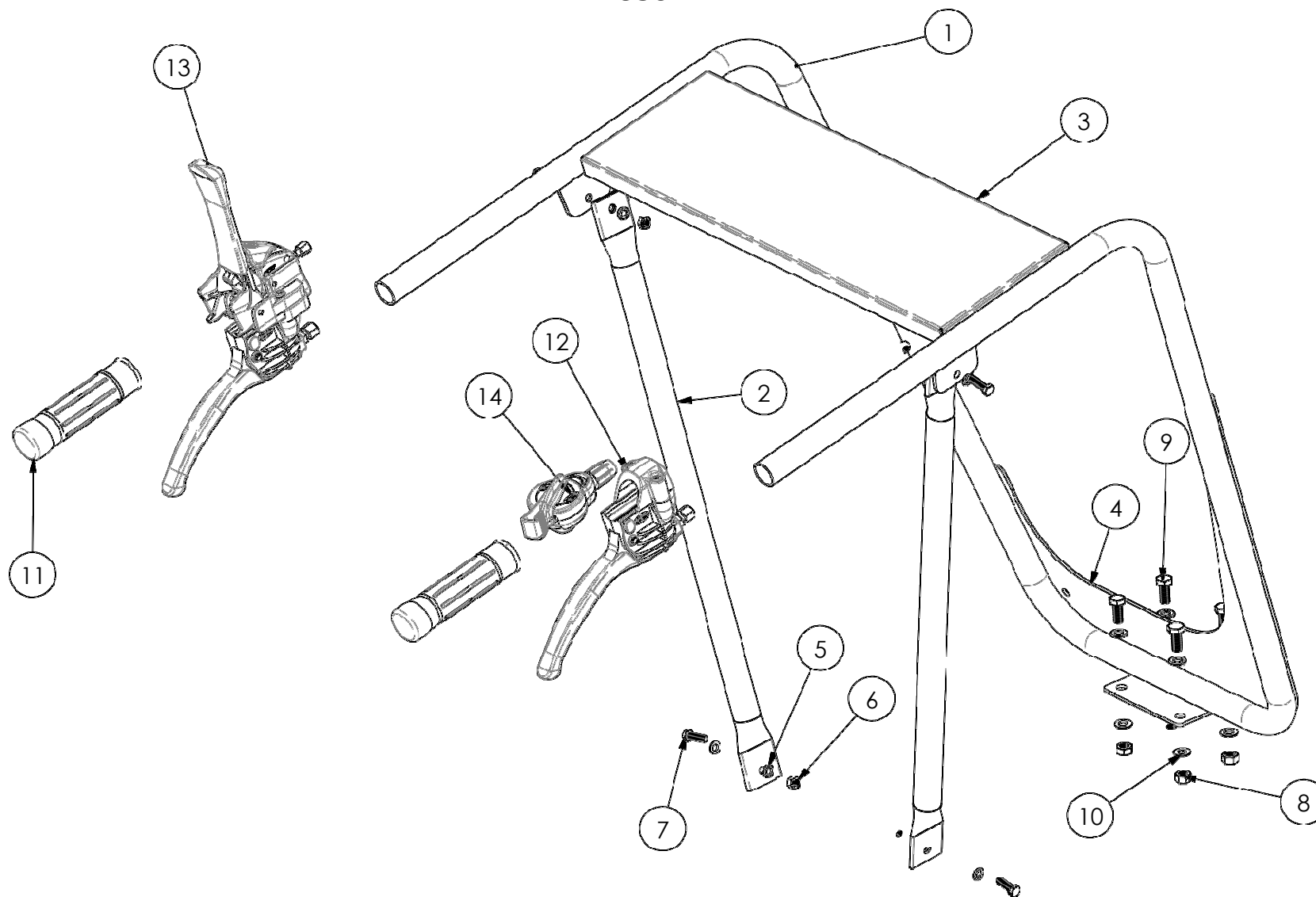
# M350



# M350

Pos.	Q.ty	Commercial description	code
1	1	Rocker plate	MTM350-010-001
2	1	Seeger 32mm DIN472	MTM350-C30
3	1	6201-2RS Ball Bearing	MTM350-C31
4	1	Steel shaft	MTM350-010-004
5	1	Pulley	MTM350-010-005
6	1	Centering bush	MTM350-010-006
7	1	Seeger DIN 471 - 12 x 1	MTM350-C32
8	1	ISO 4017 - M6 x 25 hexagonal head screw	MTM350-C34
9	2	ISO 4032 - M6 nut	MTM350-C35
10	1	ISO 4032 - M8 nut	MTM350-C11
11	1	ISO 4017 - hesagonal head screw M8 x 35	MTM350-C54
12	1	ISO 7093 - M8 large washer	MTM350-C24
13	1	ISO 7090 - M8 washer	MTM350-C10
14	1	Traction spring	MTM350-C1.2

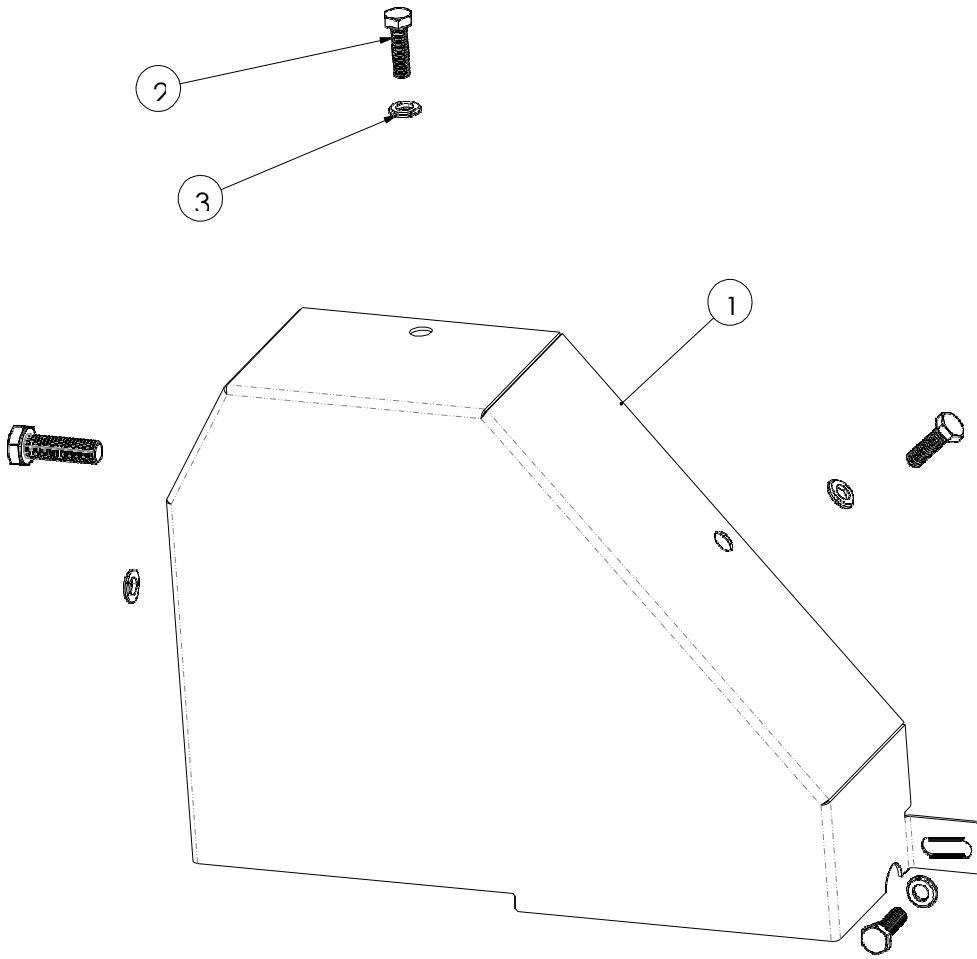
# M350



## M350

Pos.	Q.ty	Commercial description	code
1	1	Front handlebar	MTM350-011-001
2	2	Rear handlebar	MTM350-011-002
3	1	Handlebars cover	MTM350-011-003
4	1	Handlebars stiffener	MTM350-011-004
5	4	ISO 4032 - M8 nut	MTM350-C11
6	4	ISO 4017 - M8 x 20 hexagonal head screw	MTM350-C5
7	4	ISO 4017 - M6 x 20 hexagonal head screw	MTM350-C38
8	8	ISO 7090 - M8 washer	MTM350-C10
9	4	ISO 4032 - M6 nut	MTM350-C35
10	8	ISO 7090 - M6 washer	MTM350-C39
11	2	Ø 25 knob	MTM350-C29
12	1	Simple lever	MTM350-C28
13	1	Combined lever	MTM350-C36
14	1	Throttle lever	MTM350-C37

# M350



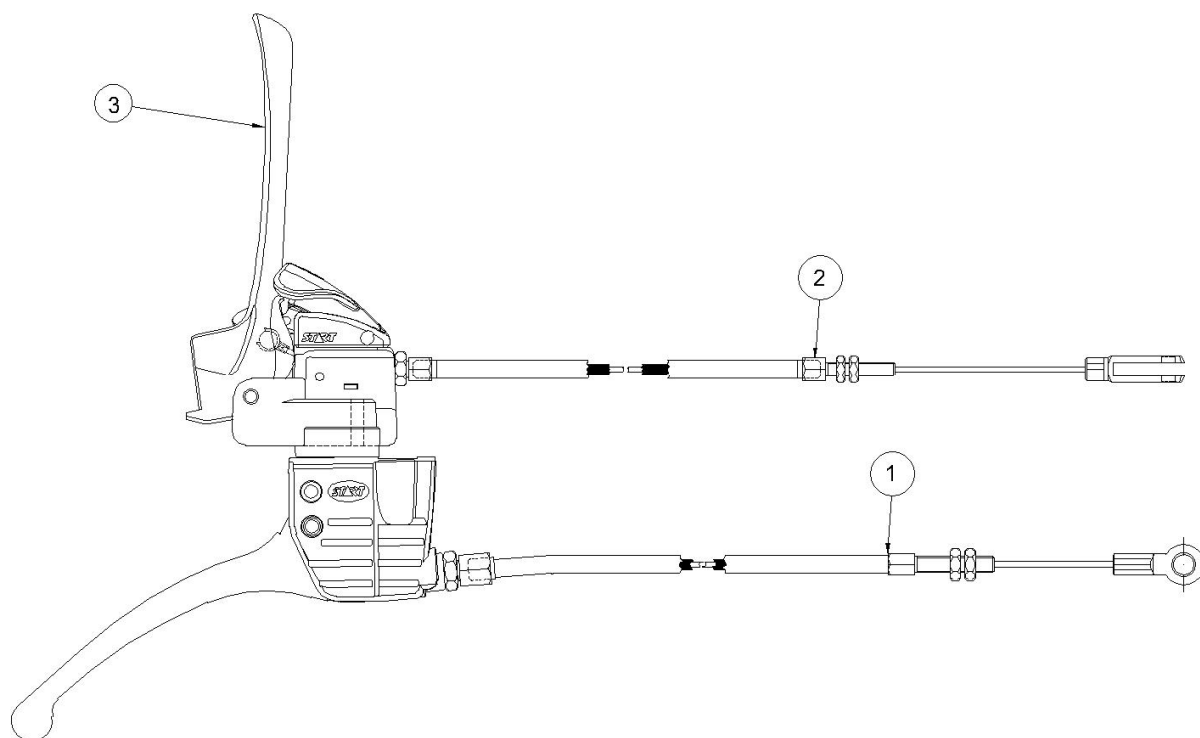
Pos.	Q.ty	Commercial description	code
1	1	Belt cover	MTM350-012-001
2	4	ISO 4017 - M6 x 20 hexagonal head screw	MTM350-C38
3	4	ISO 7090 - M6 washer	MTM350-C39



## M350

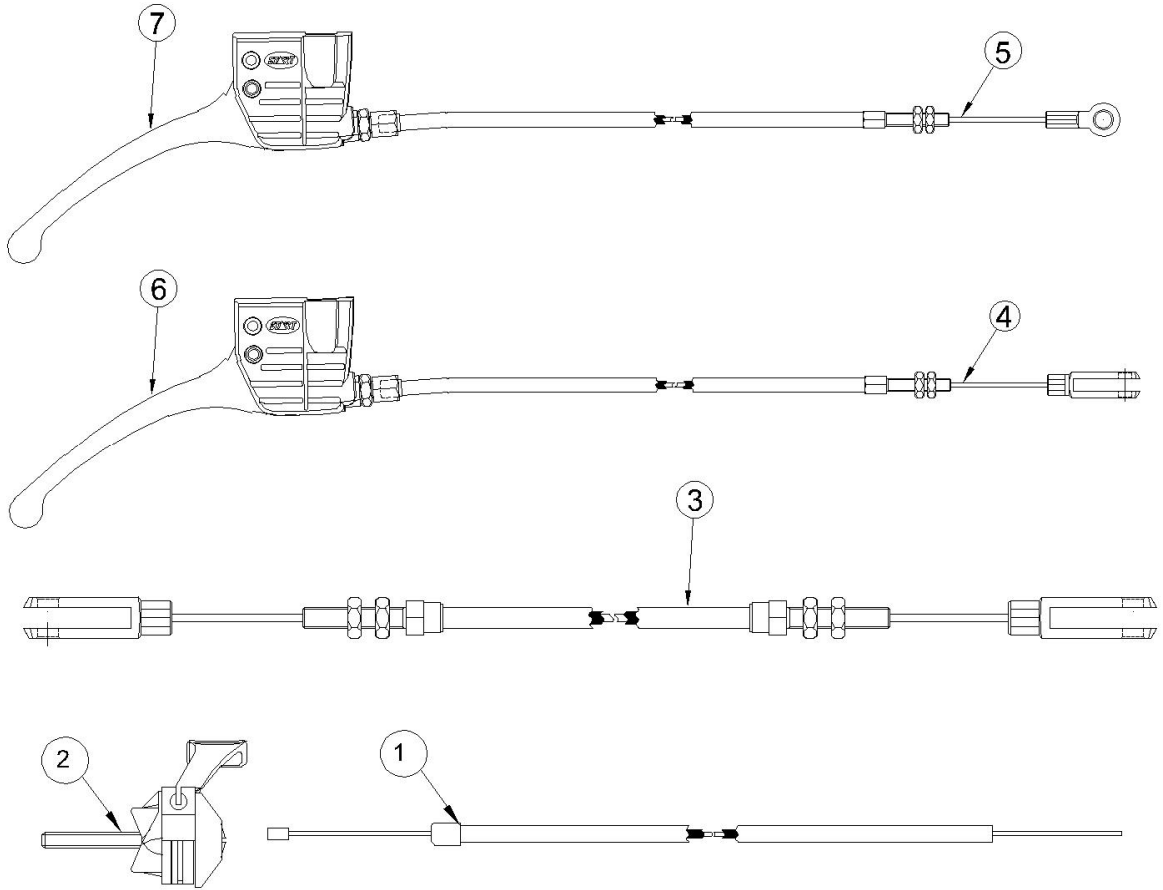
<b>Pos.</b>	<b>Q.ty</b>	<b>Commercial description</b>	<b>code</b>
1	1	Cover frame	MTM350-013
2	1	Rubber truck left cover	MTM350-013-006
3	16	DIN 6921 - M5 x 12 flanged hexagonal head screw	MTM350-C40
4	12	DIN 6923 - M5 flanged nut	MTM350-C41
5	1	Battery	MTM350-C62
6	4	M5 threaded insert	MTM350-C42
7	12	ISO 4032 - M8 nut	MTM350-C11
8	4	ISO 7090 - M8 washer	MTM350-C10
9	2	ISO 4017 - M8 x 20 hexagonal head screw	MTM350-C5
10	1	ISO 4014 - M10 x 160 x 26 hexagonal head screw	MTM350-C17
11	2	ISO 7090 - M10 washer	MTM350-C8
12	1	ISO 4032 - M10 nut	MTM350-C7
13	10	DIN 6921 - HESAGONAL HEAD SCREW M8 x 16 FLANGED	MTM350-C55
14	1	Right side rubber cover	MTM350-013-019
15	1	Battery support	MTM350-013-020

# M350



Pos.	Q.ty	Commercial description	ID code
1	1	Left directional lever cable	MTM350C60
2	1	Starter cable	MTM350C61
3	1	Left combined lever	MTM350C36

# M350



<b>os.</b>	<b>Q.ty</b>	<b>Commercial description</b>	<b>code</b>
1	1	Throttle cable	MTM350C57
2	1	Throttle lever	MTM350C37
3	1	Tensioner-Brake cable connection	MTM500C36
4	1	Open lever cable	MTM350C58
5	1	Right directional lever cable	MTM350C59
6	1	Right directional lever	MTM350C28
7	1	Open lever	MTM350C28